

SB03

Flow Limiter For Large Flow Rates

- without additional power requirements
- saves energy by limiting the flowrate to the actually needed flow
- for pipe diameters (DN 20...DN80)
- with male thread for mouting into existing pipes or complete with flowhousing
- all metal version without plastic internals
- materials: brass or st. steel



Description:

The model SB03 flow limiters are used to limit the flow of water or waterlike media to a fixed value. They make sure that this fixed flow rate stays constant despite varying upstream or downstream pressures. Contrary to the commonly used products of this kind the SB03 limiter do not utilize a plastic membrane as limiting device. Instead the SB03 work with a spring loaded stainless steel variable orifice. Due to the differential pressure across the limiter this variable orifice changes its aperture continuously. Through increasing the orifice size with falling pressure or decreasing it with rising pressure the flow rate will always remain constant.

Applications:

For water and waterlike media. Usable in water distribution systems in the industry, in carwash installations, for sanitary applications and in water treatment systems.

Principle of operation

see data sheet SB02

Flow rates

Single limiting elements may be supplied for the following flow rates: 1...30 l/min water. By adding several flow elements onto a common disc nearly all flow rates may be realized.

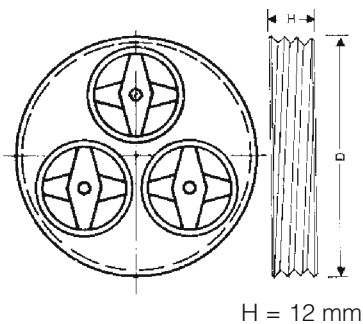
Versions and dimensions

The SB03 flow limiters are available either as disc with male thread (G) or mounted into a st. steel flow housing

Ordering code

Order no.	SB03.	1.	50.	100
Flow limiter				
Disc material:	1 = Scheibe Messing, Einsätze Edelstahl 2 = Scheibe Edelstahl, Einsätze Edelstahl			
Disc outer diameter:	20 = G 3/4 40 = G 1 1/2 50 = G 2 65 = G 2 1/2 80 = G 3			
Flow rate:	xxx = in l/min. water			

D Disc size (male thread G)	max. no. of limiting elements	flow rate (l/min.)
3/4"	1	1-30
1 1/2"	3	3-90
2"	5	5-150
2 1/2"	9	9-270
3"	13	13-390



Technische Daten

min. regulating pressure:	2 bar
max. differential pressure:	10 bar
max. static pressure:	16 bar
max. temperature:	100 °C

materials:

disc:	brass or st. steel 1.4571
insert:	st. steel 1.4310
ring:	st. steel 1.4310