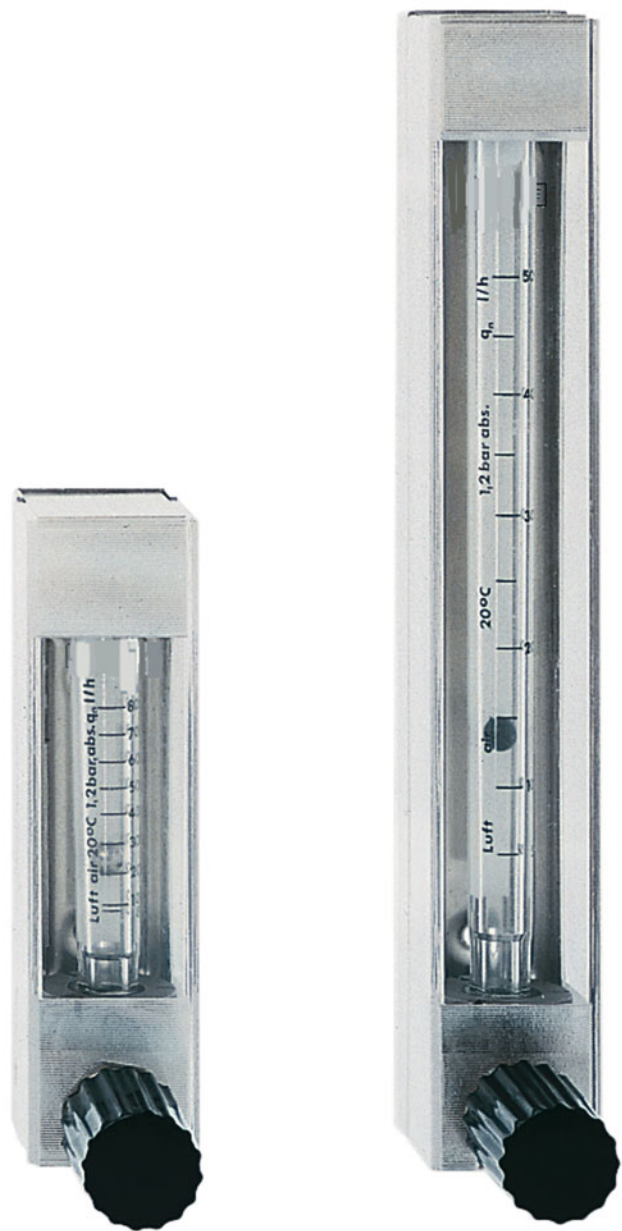


DS10

Variable Area Flowmeter For Low Flows With Glass Measuring Tube

- for liquids and gases
- body brass or st. steel
- with integrated needle valve
- limit switch optionally
- accuracy class 2.5 or 4.0



Description:

The flowmeters DS10 operate according to the proven variable area principle. The flowing media moves a float upwards against gravity in a conical measuring tube. The height of the float indicates the flow rate and may be read off a burnt-in scale on the measuring tube. Optional inductiv contacts, which are mounted on the measuring tube, may be used for flow rate limit detection. All meters are equipped with an integrated needle valve for exactly regulating the flow rate.

Applications:

Variable area flowmeters model DS10 are mainly used for measuring and monitoring the flow rate of low- viscous liquid and gaseous media. Scales for water or air at standard operating conditions have already been defined. For other media or different process conditions special scales are available.

Versions:

DS10.1: Miniature version, height 111 mm
accuracy class 4

DS10.2: Standard version, height 146 mm
accuracy class 2,5

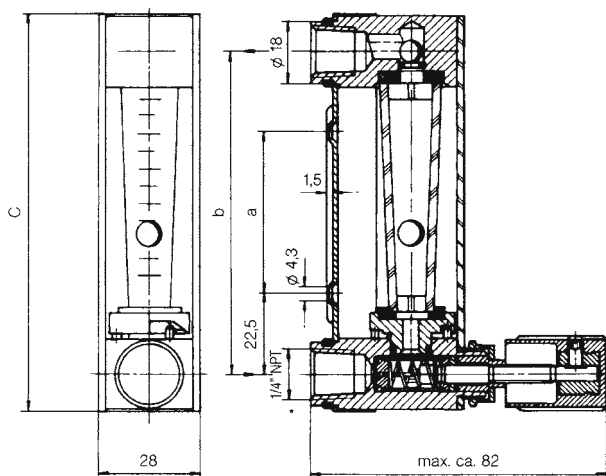
Ranges:

Range no.	Range NI/h air, 20°C, 1.2 bar abs.	Contact- version	DS10.1 Miniature	DS10.2 Standard
01	0,5...5	A	x	x
02	0,8...8	A	x	x
03	1,6...16	A	x	x
04	4...40	A	x	x
05	6...60	A	x	x
06	10...100	B	x	x
07	25...250	B	x	x
08	50...500	B	x	x
09	80...800	B	x	x
10	100...1000	B	-	x
11	180...1800	B	-	x
12	240...2400	B	-	x
13	300...3000	B (min.)	-	x
14A	400...4000	B (min.)	-	x
15A	500...5000	B (min.)	-	x
	l/h water			
16	0,25...2,5	A	x	x
17	0,5...5	B	x	x
18	1,2...12	B	x	x
19	2,5...25	B	x	x
20	4...40	B	x	x
21	6...60	B	x	x
22	10...100	B (min.)	x	x
23	12...120	B (min.)	x	x
24	16...160	B (min.)	x	x

x = available - = unavailable

Contacts: The contact version is defined by the measuring range.
(min.) = Contact only available for minimum monitoring

Dimensions:



Version	a (mm)	b (mm)	c (mm)
DS10.1	45	90	111
DS10.2	80	125	146

Ordering code:

Order no: DS10. 2. 2. 1. 1. 06. 1. 1. 0

**Variable area flowmeter
with glass measuring tube**

Version

1 = Miniature
2 = Standard

Process connection

1 = G 1/4 female on back
2 = 1/4" NPT on back

Material

1 = brass
2 = st. steel

O-rings

1 = Viton (standard)
2 = PTFE / FFKM

Ranges

01...24 = according to table
99 = special range

Valve

0 = without
1 = valve on inlet side (Standard)
2 = valve on outlet side

Limit switch

0 = without
1 = 1 contact (version A)
2 = 2 contacts (version A)
3 = 1 contact (version B)
4 = 2 contacts (version B)

Options (multiple selection possible)

0 = without
1 = panel mounting set
2 = cable connector housing
for meters with contact

Special process connections (hose connectors, SWAGELOK, ERMETO or others) on request.

For operation of the limit switches transmitter relays model KFA...SR2-Ex1.W for 1 contact or KFA...SR2-Ex2.W for 2 contacts are available. Technical specifications and prices on request.

Technical Specifications:

max. pressure: 10 bar

max. temperatur: 100 °C (80 °C with contact)

materials: Armature and valve brass or st. steel, float st. steel, O-rings Viton or PTFE / FFKM, glass Borosilikate

Accuracy class: DS10.1: Klasse 4
DS10.2: Klasse 2,5

PKP Prozessmesstechnik GmbH 

Borsigstraße 24 · D-65205 Wiesbaden

+49 (0) 6122-7055-0 · +49 (0) 6122-7055-50

Email: info@pkp.de · Internet: www.pkp.de

PKP Process Instruments Inc. 

10 Brent Drive · Hudson, MA 01749

+1-978-212-0006 · +1-978-568-0060

Email: info@pkp.eu · Internet: www.pkp.eu

